

MotorGuide REPAIR PARTS

Model: **GreatWhite**

GWF56

SPECIFICATIONS:

Year of Intro	1998
Thrust	56LBS
Volts	12/24VDC
Amp Draw	0 to 34amps
Mount	20 Bow
Speeds	10 Forward

QUICK REFERENCE PARTS GUIDE:

Momentary switch	AP151-01
Toggle Switch	FP153-05
Motor Seal Kit	6220
Rotary Switch	HF150-01

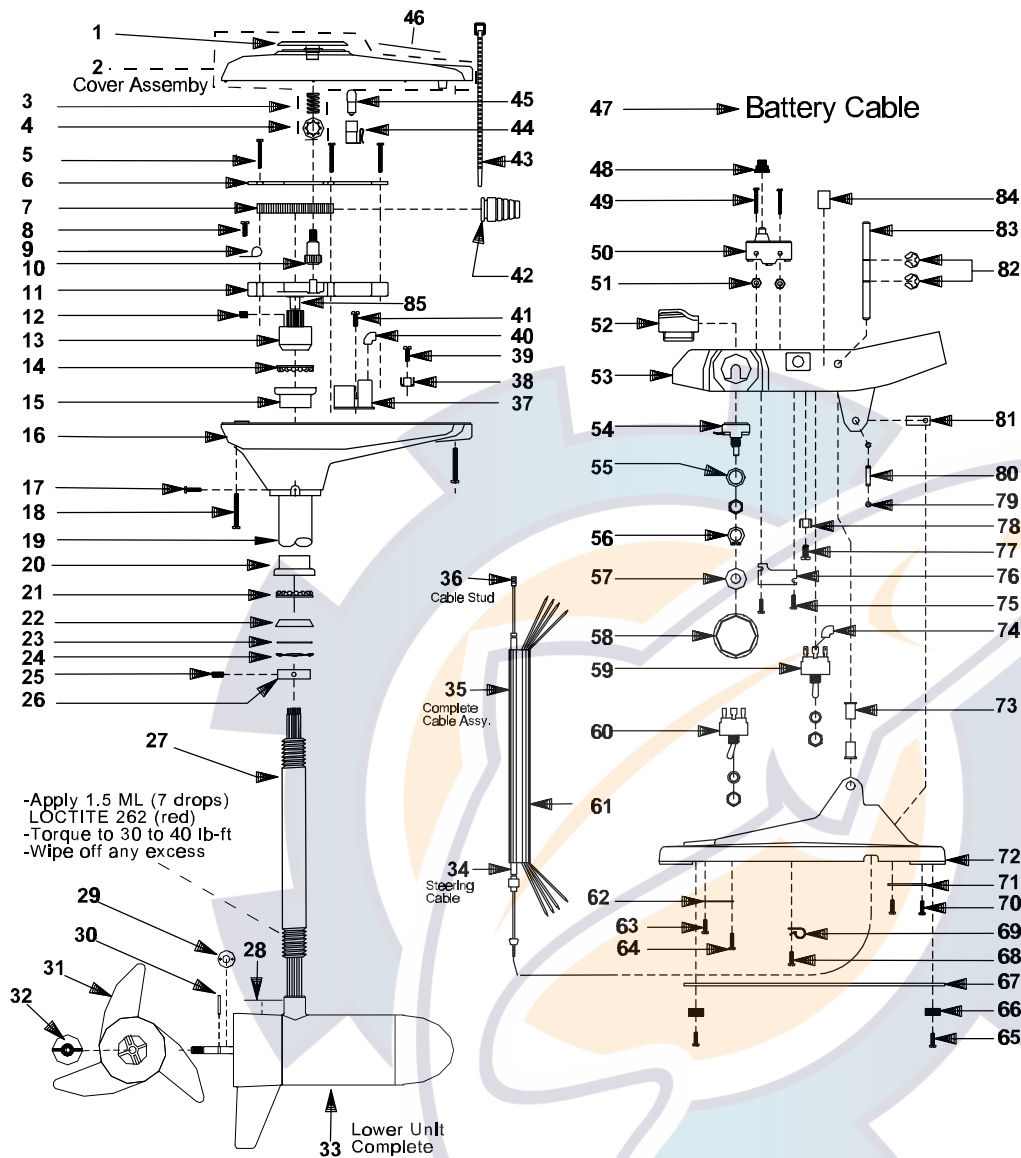
PARTS ORDERING & TECH ASSISTANCE

MotorGuide Consumer Relations
 Phone 918-831-6989
 Fax 800-982-8093

Send Returned Goods to:

MotorGuide
 605 Hwy 12 West
 Starkville, MS 39760

Returned Goods must be accompanied with a Returned Goods Authorization. Contact MotorGuide Consumer Relations to obtain RGA.

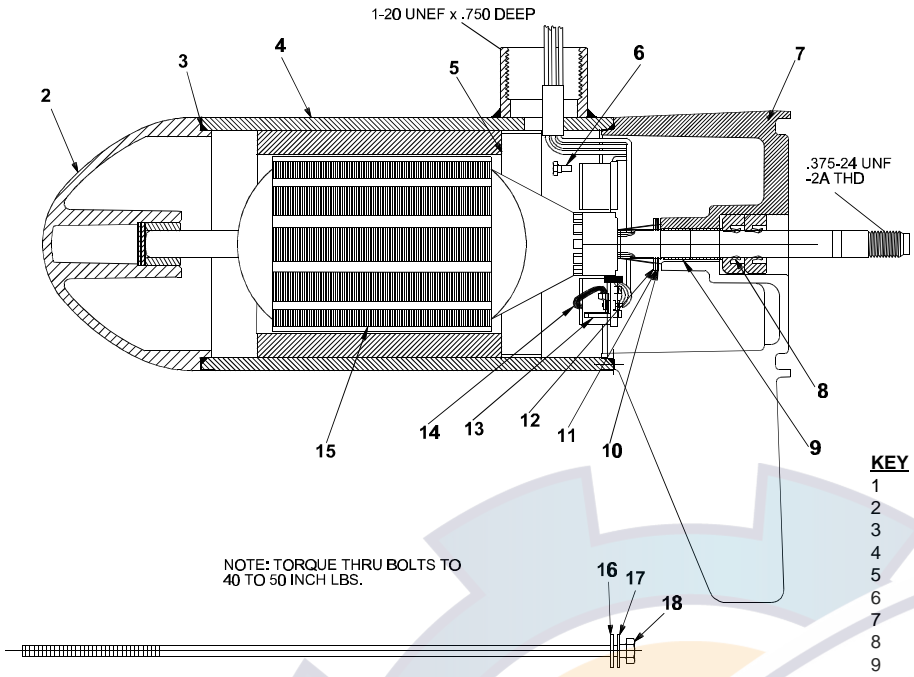


-Apply 1.5 ML (7 drops) LOCTITE 262 (red)
 -Torque to 30 to 40 lb-ft
 -Wipe off any excess

KEY	DESCRIPTION	PART #	KEY	DESCRIPTION	PART #	KEY	DESCRIPTION	PART #
1	RED INDICATOR	AF078-08	31	PROP/3 BLADE	AF124-10	59	TOGGLE SWITCH 3 POSITIONS	FP153-05
2	TOP HOUSING COVER WHITE	AF053-12	32	PROP NUT	AR099-01	60		
3	COMPRESSION SPRING	AF014-01	33	F/O MOTOR WR	BF397-05	61	69" ELECTRIC CABLE JACKET	MM9006-03
4	TINNERMAN CLIP	AF046-01	34	63" CONTROL CABLE STUD ASY	9377	62	63" ELECTRIC CABLE JACKET	MM9006-02
5	#6 RACK GUIDE SCREW	XF133-01	35	69" CONTROL CABLE STUD ASY	9767	63	CABLE PLATE	XP123-02
6	RACK GUIDE COVER	AF127-01	36	69" CONTROL CABLE ASY	XP327-06	64	#6 SELF TAP SCREW	EK135-01
7	RACK	XP125-01	37	CONTROL CABLE STUD	LP327-08	65	6 X 1/2 SCREW	XF135-01
8	#10 x 1/2" SCREW	RT133-03	38		AP141-01	66	6 X 1/2 SCREW	XF135-01
9	CABLE CLAMP	AP036-01	39			67	FOOT PEDAL PAD	KP023-01
10	INDICATOR GEAR	AF069-01	40			68	WEIGHT PLATE ASY	LP3123-01
11	RACK GUIDE	AF126-01	41			69	6 X 1/2 SCREW	AF135-01
12	1/4 NUT SET SCREW	AF142-01	42	GROMMET	AP071-01	70	CABLE CLAMP	KP036-01
13	PM PINION NUT	XF398-01	43	CABLE TIE	AF030-01	71	SCREW	IR133-01
14	BEARING	FM005-01	44	LAMP HOLDER	AF394-01	72	BATTERY CLAMP	XP036-01
15	BEARING CUP	FM007-01	45	LAMP	AF093-01	73	FOOT PEDAL BASE	XP003-02
16	T/H BASE WHITE	AF004-06	46	NOMENCLATURE	XF056-11	74	SHAFT BUSHING	KP021-01
17	#6 SELF TAP SCREW	EK135-01	47	BATTERY CABLE ASY	XP328-02	75	INSULATING SLEEVE	AT080-01
18	SCREW #8 X 3/4	LF141-03	48	MICRO SWITCH BOOT	KP157-01	76	6 X 1/2 SCREW	XF135-01
19	42/50" OUTER TUBE	AF165-06	49	#6 32 X 1 1/2 SCREW	LP135-01	77	RETAINER PLATE	LP123-03
20	BEARING CUP	FM007-01	50	MICRO SWITCH	AP151-01	78	#10X1/2 SCREW	RT133-03
21	BEARING	FM005-01	51	6 - 32 NUT S.S	SP098-02	79	TERMINAL 4 PRONG	FT160-03
22	BEARING RACE	AF006-03	52	MICRO BUTTON	LP026-01	80	E RING	FP046-01
23	O RING	AF063-01	53	FOOT PEDAL HI MARINE	XP101-04	81	CABLE PIVOT PIN	AP105-01
24	WAVE SPRING WASHER	AF171-01	54	ROTARY SWITCH	HF150-01	82	CABLE PIVOT	LP091-01
25	CONE SET SCREW	AF143-01	55	LOCK WASHER 3/8	XP171-01	83	.312 E RING	BK046-02
26	BEARING COLLAR	AF006-01	56	GRIP RING	XP046-01	84	FOOT PEDAL ROCKER PIN	LP102-01
27	42" .105 SS F/O COLUMN	AF049-09	57	NYLON WASHER	AK171-02	85	12/24 DECAL	LP057-04
28	LOWER UNIT DECAL	XT060-04	58	5 SPEED KNOB	LP082-07		PINION NUT BUSHING	AF021-01
29	MONOFILAMENT WASHER	AR175-01						
30	PROP DRIVE PIN	BR102-01						

LOWER UNIT BREAKDOWN

Model:
GWF56



NOTE: TORQUE THRU BOLTS TO 40 TO 50 INCH LBS.

KEY	QTY	DESCRIPTION	PART NO.
1	X	MOTOR	BF397-05
2	1	NOSE CAP	JF3212-02
3	2	O RING SEAL	MR217-01
4	1	HOUSING ASY	JF3210-02
5	1	RETAINER	JF233-01
6	2	BRUSH CARD SCREW	MR228-01
7	1	COMM CAP	BF3205-05
8	2	SHAFT SEAL	MR223-01
9	1	BEARING	MR206-02
10	1	NYLATRON WASHER	MR226-01
11	1	WASHER	MR227-01
12	1	E RING	MR219-02
13	2	BRUSH SPRINGS	MR214-02
14	1	BRUSH ASY LESS SPRING	BF3201-05
15	1	ARMATURE 3.5"	JF3207-01
16	4	STATIC SEAL	MR222-01
17	4	THRU BOLT WASHER	MR216-02
18	2	THRU BOLT	MR218-03

WIRING

12/24V WIRING DIAGRAM

